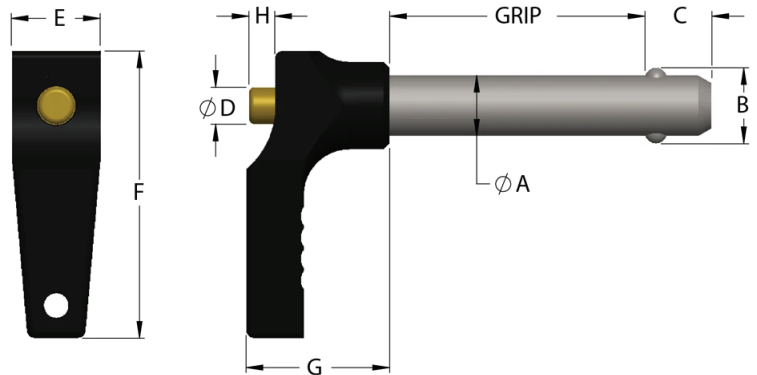


# L-HANDLE



## TYPICAL DIMENSIONS\*

Nom. Dia. †	A (Dia.)		QB (+/- .005)	C (+.000/- .030)	D	E	F	G	H	Calculated double-shear strength (lbs)		Min tensile load (2 balls) Δ	
	Max	Min								17-4 SS	316 SS	17-4 SS	316 SS
<b>3/16</b>	0.1885	0.1870	0.220	0.260	0.240	0.400	1.800	0.885	0.125	5,150	1,500	200	150
<b>1/4</b>	0.2485	0.2470	0.289	0.290	0.194	0.400	1.800	0.885	0.125	9,200	2,200	230	180
<b>5/16</b>	0.3110	0.3095	0.375	0.330	0.250	0.480	1.800	0.925	0.125	14,400	3,500	510	400
<b>3/8</b>	0.3735	0.3720	0.440	0.365	0.281	0.562	2.030	1.035	0.160	20,600	4,500	575	450
<b>1/2</b>	0.4985	0.4970	0.594	0.460	0.316	0.720	2.360	1.180	0.240	36,800	11,500	1,160	900
<b>5/8</b>	0.6235	0.6220	0.750	0.580	0.316	0.830	3.070	1.485	0.240	57,500	20,000	2,070	1,500
<b>3/4</b>	0.7485	0.7470	0.887	0.670	0.580	0.960	3.070	1.545	0.300	82,500	23,000	2,950	2,200
<b>1</b>	0.9985	0.9970	1.219	0.890	0.750	1.240	3.500	1.950	0.375	147,000	35,000	5,480	4,100

\*VIRTUALLY ANY DIMENSION CAN BE TAILORED FOR YOUR APPLICATION.

### NOTES

Dimensions in Inches

Grip length +0.020, -0.000. Custom tolerances available.

† Pins can be any diameter 3/16" and up, including metric

QB Dimension is measured over the balls

Δ Add 30% for 4-ball pins